



## BUILT IN Energy efficiency

Save time and money with Jandy's variable-speed ePump.

The ePump delivers optimal performance while reducing energy usage. By combining an ultra high-efficiency motor with the power of Jandy's premier Stealth™ pump, the ePump enables overall energy savings. ePump's revolutionary variable-speed motor, allows users to customize flow on all water features for maximum efficiency and reduced energy cost. Available in 1.5 HP and 2 HP versions.

### 3 Control Options



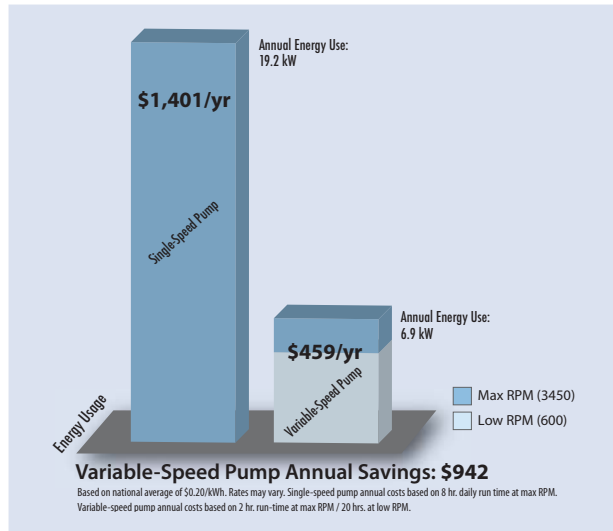
Completely programmable and customizable with 3 control system options:

- Aqualink® RS OneTouch
- Aqualink RS PDA
- ePump Controller

### Ultra High-Efficiency Motor



The ePump's ultra-high efficiency motor features a totally enclosed fan-cooled (TEFC) permanent magnet brushless DC motor for cooler, quieter operation and extended motor life.



### Stealth™ Pump Technology



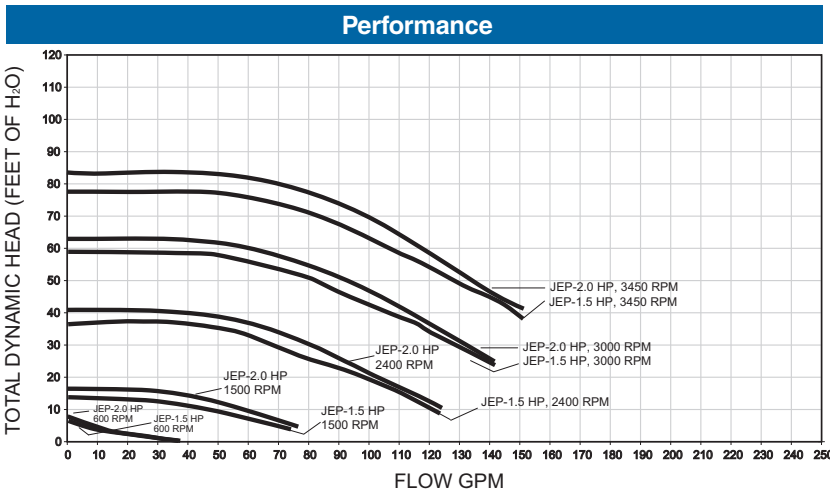
- Powerful, efficient operation
- Smooth, quiet functioning with Jandy's patented quiet technology
- Largest trap basket on the market for reduced maintenance
- Packed with user-friendly features including ergonomic handles and easy to read indicators



# Energy-Efficient Jandy® ePump

The Jandy ePump is innovatively designed to exceed the strictest energy efficiency codes. ePump delivers an ideal experience by combining optimal performance with Jandy's patented quiet technology, so users can focus on the moment, rather than annoying pump noise. And, its robust motor is built to last with minimal upkeep. With its large-capacity trap basket, it also reduces maintenance time, so pool owners can spend more time enjoying their pool and less time maintaining it. Imagine that...

Specifications						
Model No.	HP	Volts	Watts	Pipe Size	Carton Weight	Overall Length 'A'
JEP-1.5	0.25-2.2	230 VAC	2100	2"-2 1/2"	71.5 lbs	34 1/4"
JEP-2.0	0.25-2.7	230 VAC	2300	2 1/2"-3"	71.5 lbs	34 1/4"
JEP-R	Jandy ePump Remote Controller					



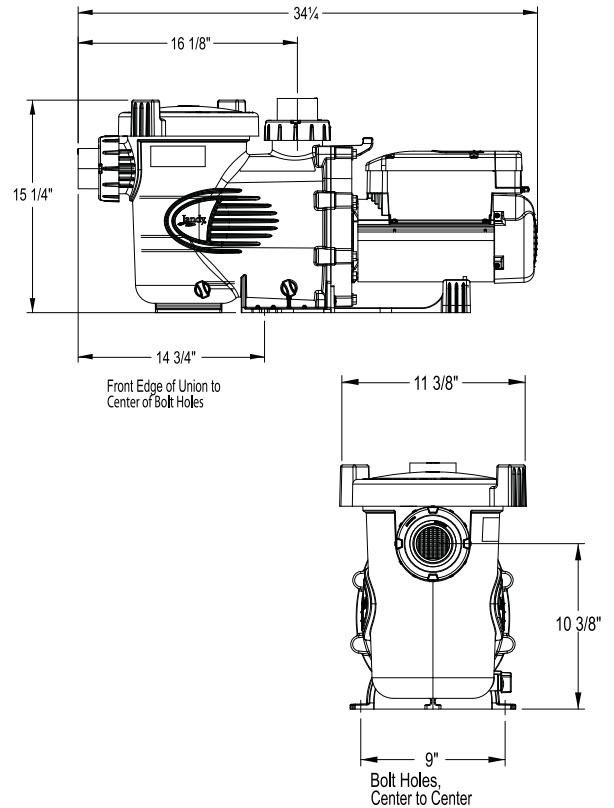
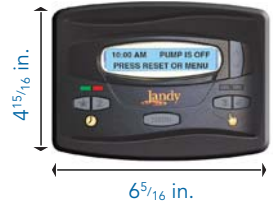
ALL JANDY PRODUCTS WORK SEAMLESSLY TOGETHER  
 Jandy Control Systems manage our complete line of technologically-advanced products.



## Dimensions

### Optional Off-Board Remote Control

The convenient ePump off-board controller, includes 2 timers and 8 pre-set speeds with easy-to-read LCD/LED display, 2 time-out settings, pump priming, freeze protection and a pressure cleaner pump interface. It also displays power consumption in watts and includes a global RPM limiter and eStar custom setup. The controller can be installed upto 200 feet from the pump. The ePump can also be operated from an Aqualink® RS One Touch or PDA control system.



Pumps • Filters • Heaters • Heat Pumps • Controls  
 Lights • Water Purification • Valves • Water Features • Water Leveling  
 Cleaners • In-Floor • Pool Covers • Accessories

1.800.822.7933 • www.jandy.com • info@jandy.com

